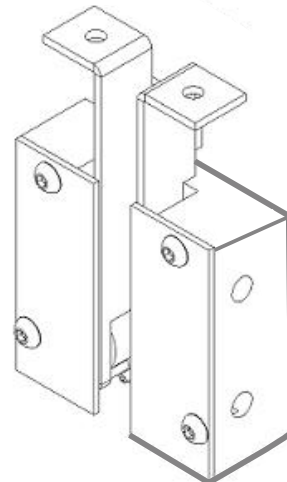
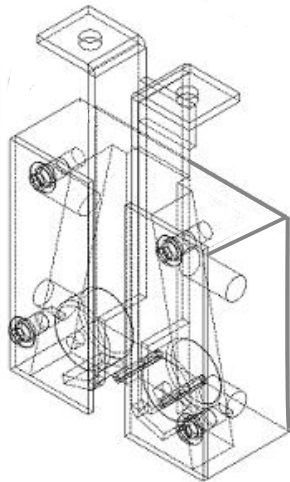
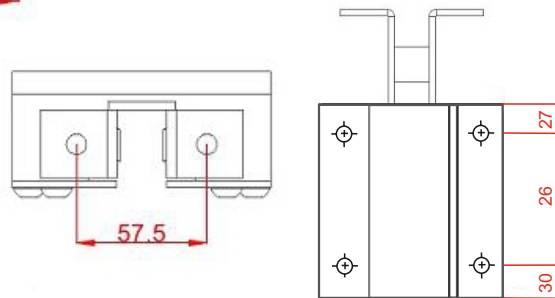
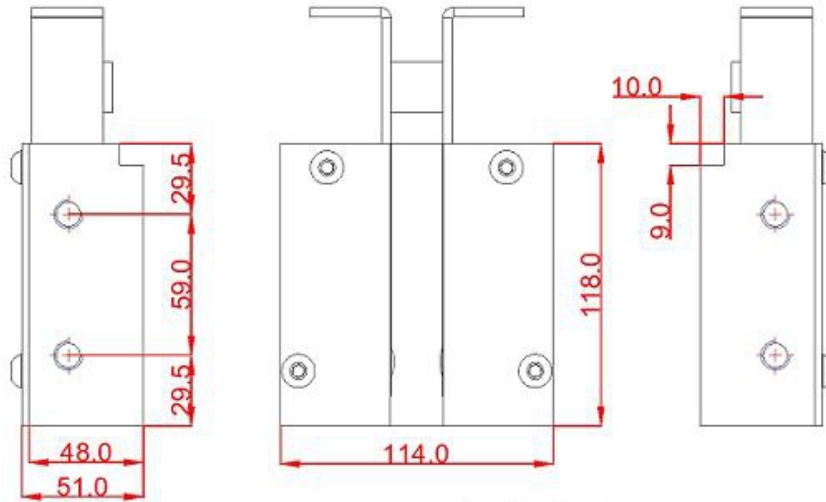
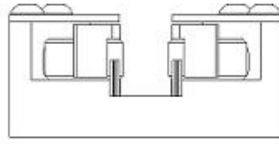




Sky
Elevator
www.sky-elevator.com



CODE	RAILS	MAX NORMAL SPEED	TRIPPING SPEED	HOLES	MASS kg	MAX LOAD
Skj 580-A9	9mm	0.60 m/s	1 m/s	SIDE M12	4,0	0.60 m/s 3705 kgs 0.80 m/s 3380 kgs
Skj 580-A16	16mm	0.60 m/s	1 m/s	SIDE M12	4,0	0.60 m/s 4221 kgs 0.80 m/s 3850 kgs